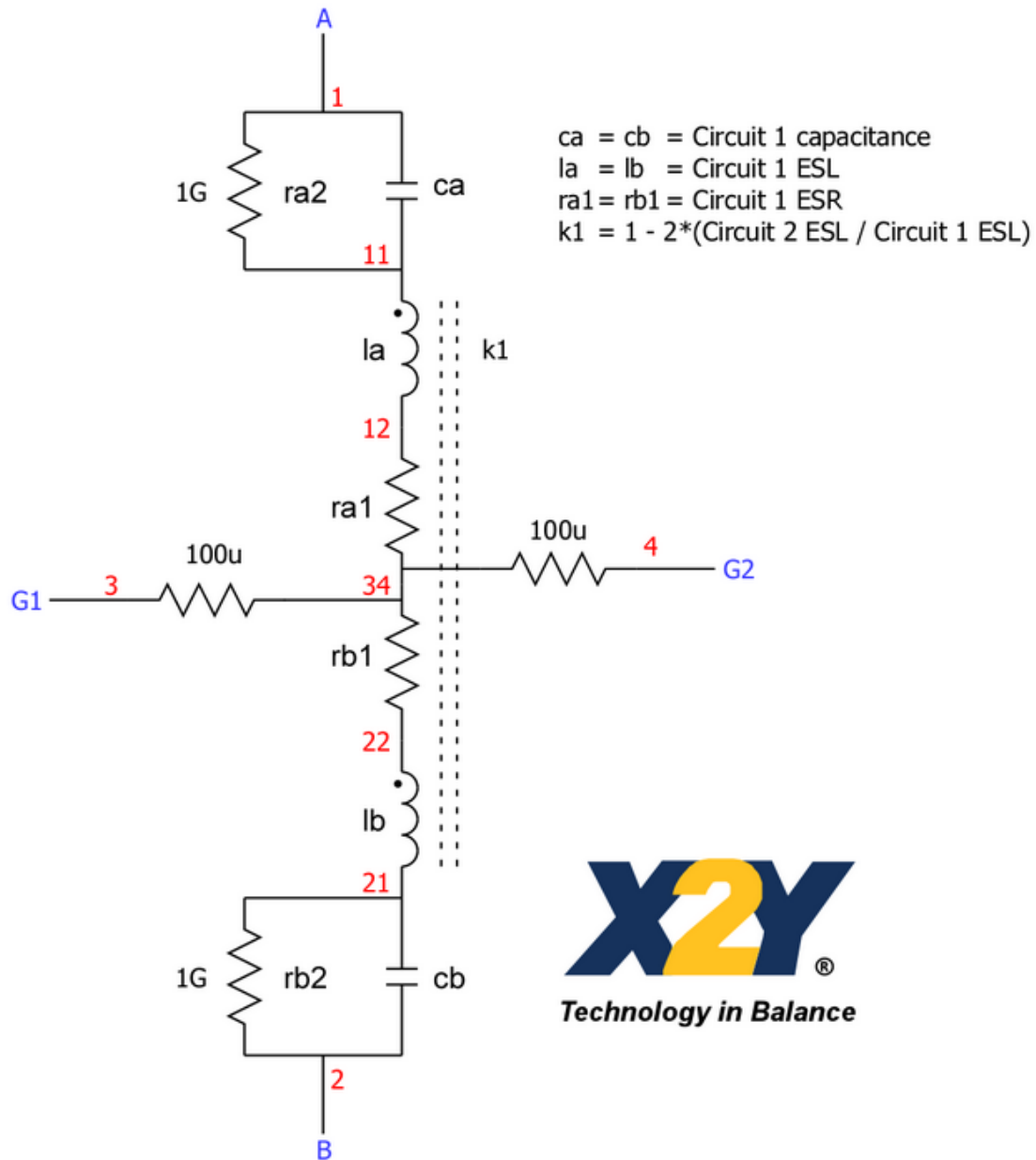
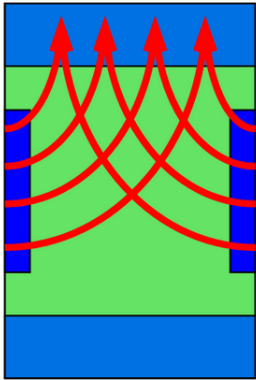


X2Y® SPICE CIRCUIT MODEL

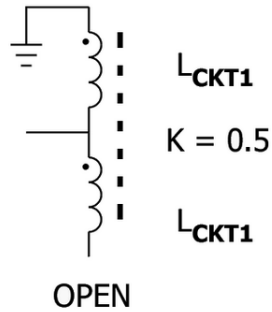


X2Y® SPICE CIRCUIT MODEL

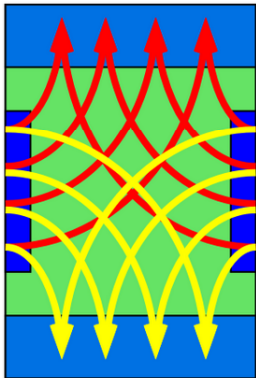
CKT1



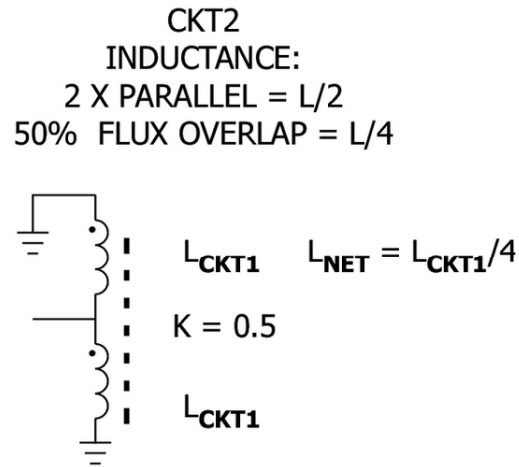
A ONLY



CKT2
OVERLAPPING FLUX
CANCELS



A + B



Infinite Capacitance, Coupled L

